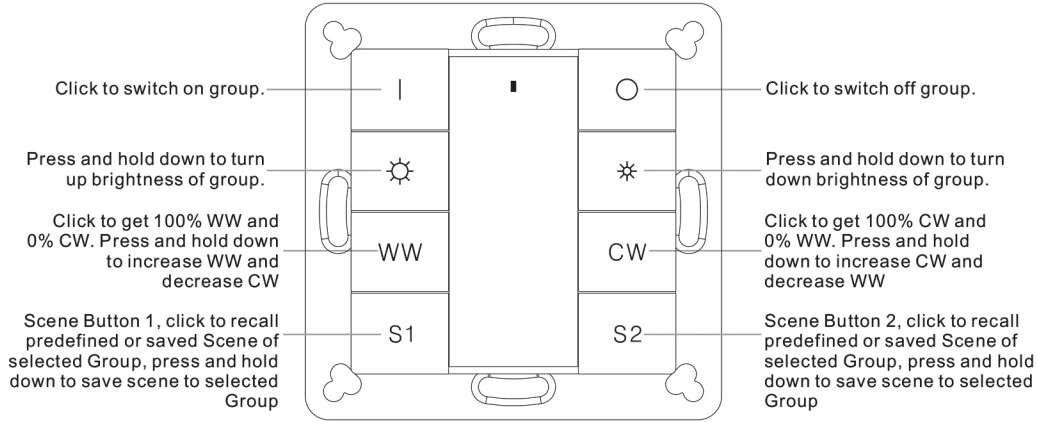


# Push Button Dual Color DT8 DALI Controller

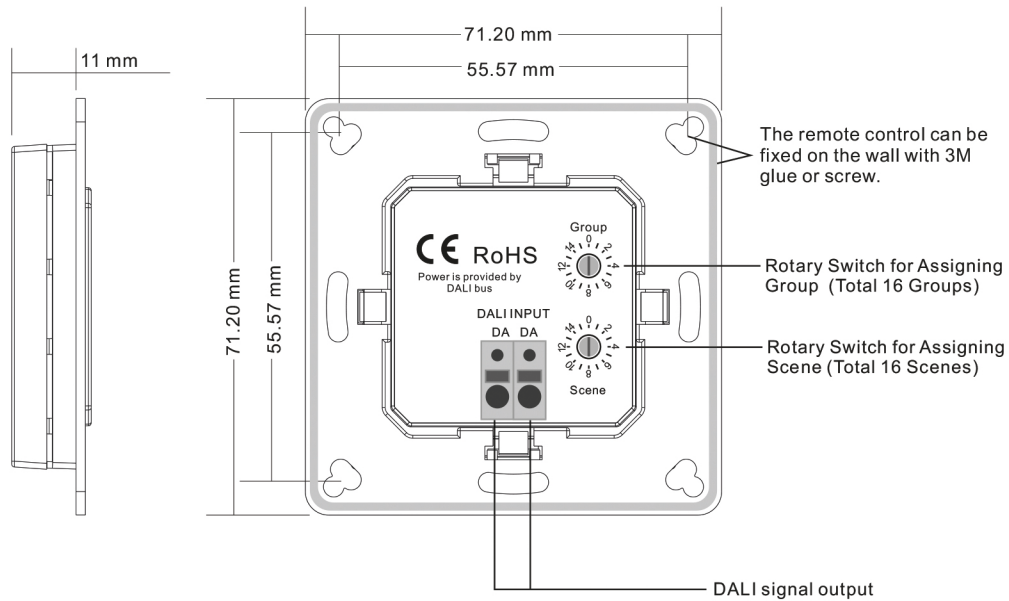


**Important:** Read All Instructions Prior to Installation

## Function introduction



Front side



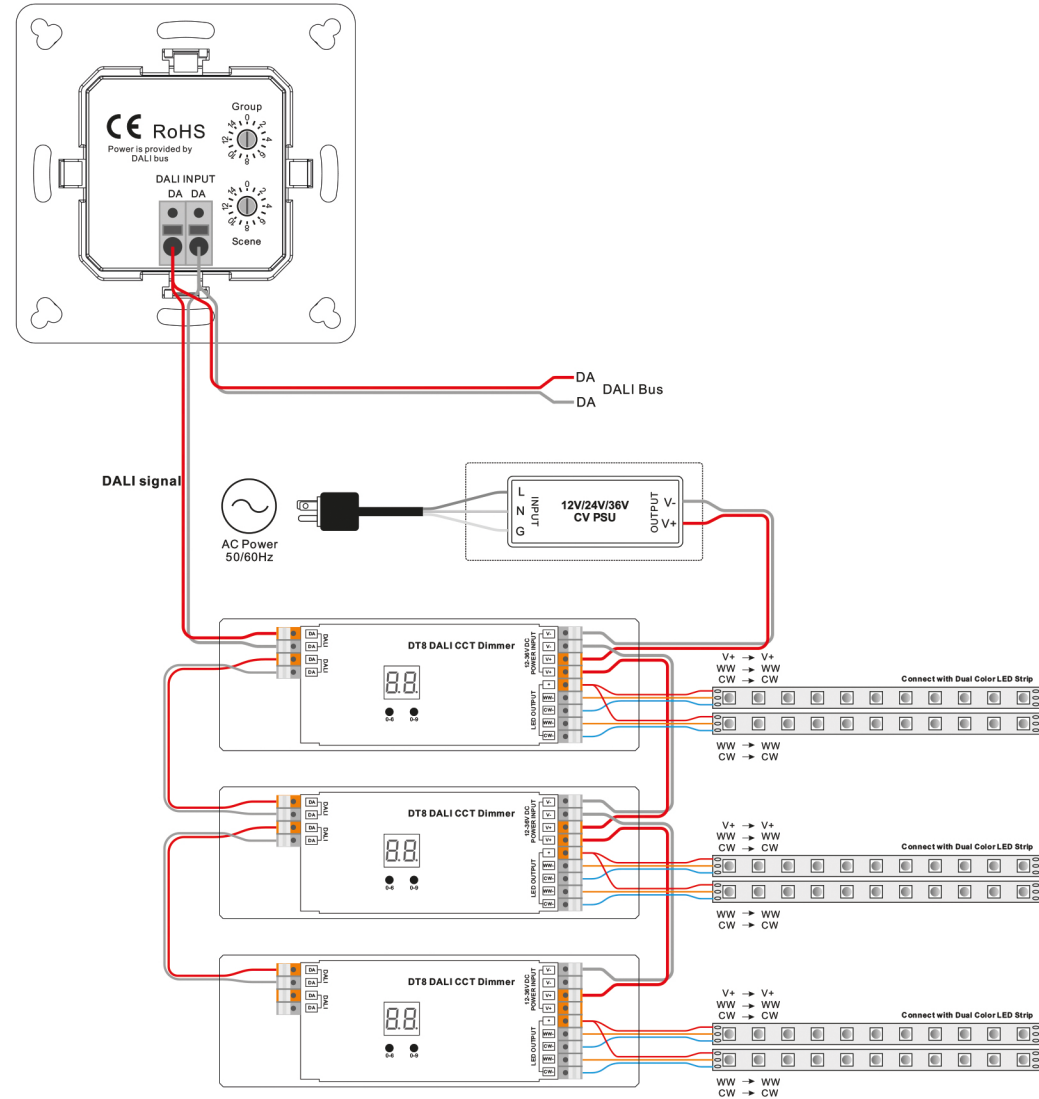
Back side

## Product Data

Output	DALI signal
Power Supply	Supply By DALI Bus
Operation Current	4mA
Operating temperature	0-40°C
Relative humidity	8% to 80%
Dimensions	71.2x71.2x13.6mm

- Push button DALI DT8 CCT controller, color type Tc
- DALI bus powered, no extra power supply required
- Each channel DALI bus can install multiple controllers
- Enables to select and control 1 DALI group from total 16 DALI groups
- Enables to select and control 2 DALI scenes from total 16 DALI scenes
- Compatible with universal 55mm frames
- Waterproof grade: IP20

## Wiring Diagram



## Safety & Warnings

- DO NOT installed with power applied to device.
- DO NOT expose the device to moisture.

## Operation

1. Do wiring according to connection diagram correctly.
2. Set starting Group number via rotary switch on the back: (0-15 selectable)
  - This DALI push button controller enables dimming commands and DT8 commands to be sent to One Group of devices on the DALI circuit. A rotary switch on the back is used to select the DALI Group you would like to control and set the starting Group number, and total 16 Groups (0-15) can be selected.
  - When the rotary switch arrow position is at 0, the controller controls all devices on DALI circuit through broadcast.
  - When the rotary switch arrow position is at X except 0 (1-15), the controller controls devices in Group X-1.

For example: Rotary switch arrow at 1, the controller controls devices in Group 0. Rotary switch arrow at 15, the controller controls devices in Group 14.

Please refer to the detailed Group setting table as follows:

Rotary Switch Position	0	1	2	3	4	5	6	7	8	9	10	11	12	13	14	15
DALI Group Selected	Broadcast	0	1	2	3	4	5	6	7	8	9	10	11	12	13	14

**Note: please assign the devices on DALI circuit to a DALI group(0-15) with DALI master controller first.**

3. Set starting Scene number via rotary switch on the back: (0-15 selectable)
  - This DALI push button controller enables Scene selection commands for up to four Scenes to be sent to the DALI circuit by 2 Scene buttons S1, S2. A rotary switch on the back is used to select Scenes you would like to control and set the starting scene number, and total 16 Scenes (0-15) can be selected.

- When the rotary switch arrow position is at X (0-15), Scene button S1 controls DALI Scene X, S2 controls DALI Scene X+1.

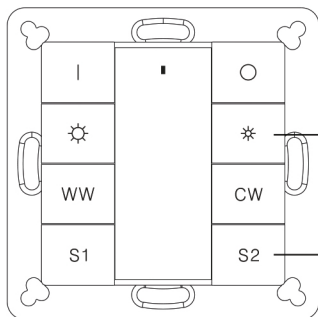
For example: Rotary switch arrow at 0, button S1 controls DALI Scene 0, S2 controls DALI Scene 1. Rotary switch arrow at 15, button S1 controls DALI Scene 15, S2 controls DALI Scene 0.

Please refer to the detailed Scene setting table as follows:

Rotary Switch Position	0	1	2	3	4	5	6	7	8	9	10	11	12	13	14	15
Scene assigned to S1	0	1	2	3	4	5	6	7	8	9	10	11	12	13	14	15
Scene assigned to S2	1	2	3	4	5	6	7	8	9	10	11	12	13	14	15	0

**Note: please predefine DALI scenes(0-15) to the devices on DALI circuit with DALI master controller first.**

## 4. Save Scenes



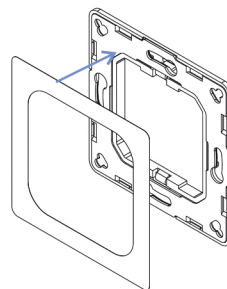
**Step 1:** Power on the DALI system

**Step 2:** Operate WW CW ☀️ \* buttons to select a CCT and brightness

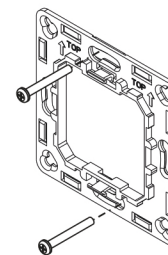
**Step 3:** Press and hold down button S1-S2(e.g. S2 ) until LED indicator on the panel flashes, which indicates the scene is saved in S2 successfully.

**Note: The saved scenes will cover the predefined ones.**

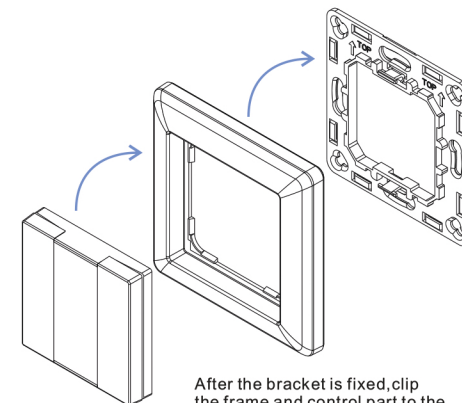
## Installation



**Method 1:** Stick 3M glue on the back of the bracket and then stick the bracket to the wall



**Method 2:** Screw the bracket to the wall



After the bracket is fixed, clip the frame and control part to the bracket in sequence

## Mounting

The key part of this controller is a universal, standard switch element that can be integrated in numerous frames by different manufactures as below list:

BEKER	S1, B1, B3, B7 glass
GIRA	Standard55, E2, Event, Esprit
JUNG	A500, Aplus
MERTEN	M-smart, M-Arc, M-Plan