

# LED DALI Controller Touch RGBW DT8 - 4 Zones User Manual



Item no.: LC-004-944

## 1. Product Description

The DALI controller is a touch panel and sends DALI signals to DALI actors. This controller is suitable for RGB and RGBW LED lights. It has a high sensitive glass touch panel with which you can adjust any desired colour. The touch panel can control 4 DALI groups and 4 DALI scenes. The DALI Device Type (DT) 8 device can be supplied passive via DALI bus or active supplied with 230VAC. Mounting on a commercially available 68mm flush-mounted box.

## 2. Specifications

Power Supply	100-240VAC oder DALI Bus
Operation current	230VAC: <15mA   DALI consumption: 4mA
DALI Bus Output	max. 100mA
Output Signal	DALI
Max. wire-cross section	1,5mm <sup>2</sup>
dimensions	86 x 86 x 41,6 mm

## 3. Operation Manual

 ON/OFF button or dimming

short press: turn on / off the controller. When switched on a blue LED lights up above the colour wheel. long press: up,- or down dimming of the desired colour.

**S** scene button

With this button you can call up the self-saved scenes. press the previously stored DALI group 1, 2, 3 or 4. Then briefly press the S button. Then select the saved scene with the buttons 1, 2, 3 or 4.

 Colour wheel

At the colour wheel you can choose the desired colour or the colour mix.



## Play/Pause button

First short keystroke: Starting the 10 permanently stored color gradients.

Repeated short press: Pause the color gradient.

Long press of the button: The color speed is increased or slowed down.

1 2 3 4 Zone selection or sabind of 4 different scenes

These buttons can be used to select zones, long press turn the zone on / off or scenes to be called and saved

R G B W R G B W - buttons

If you press shortly, you can switch between the individual channels.

First long press - brightness is increased, second long press - brightness is dimmed down.

Briefly press the button - channel is switched on, - or switched off.

## 4. Einstellungen

### 1. Assignment of the DALI - Group:

The rear rotary switch determines which DALI group and scenes are controlled or stored by the touch panel. A total of 15 groups + 1x broadcast can be selected.

If you set the rotary switch to position „0“ at Group, the command „broadcast“ will be sent.

For positions „1“ to „F“, groups 0-14 are addressed directly. The 16th DALI Group which is designated 15, can not be addressed directly.

Note: For a group-wise control, it is necessary to assign the DALI actors to one or more DALI groups. The DALI Touch Panel can not perform a group assignment.

Please note the detailed group setting:

Rotary Switch Position	0	1	2	3	4	5	6	7	8	9	A	B	C	D	E	F
DALI Group for button 1	Broadcast	0	1	2	3	4	5	6	7	8	9	10	11	12	13	14
DALI Group for button 2	0	1	2	3	4	5	6	7	8	9	10	11	12	13	14	BC
DALI Group for button 3	1	2	3	4	5	6	7	8	9	10	11	12	13	14	BC	0
DALI Group for button 4	2	3	4	5	6	7	8	9	10	11	12	13	14	BC	0	1

## 2. Setting the scene number:

The touch panel allows scene selection of upto 4 scenes.

A rotary switch on the back serves to select the scenes you want to control and to set the starting scenes. Here you can choose between 16 scenes (0-15).

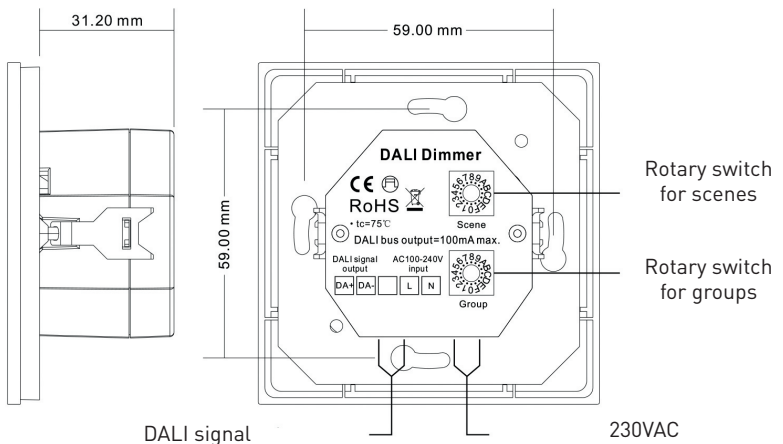
If you set the rotary switch to position „0“ in Scene, the 4 possible scenes become (S1-S4) stored in the DALI actors under scene 0 to scene 3.

If you set the rotary switch, e.g. at position „7“, scenes 7-10 are occupied and at position „F“ scenes 15, 0, 1 and 2 are occupied.

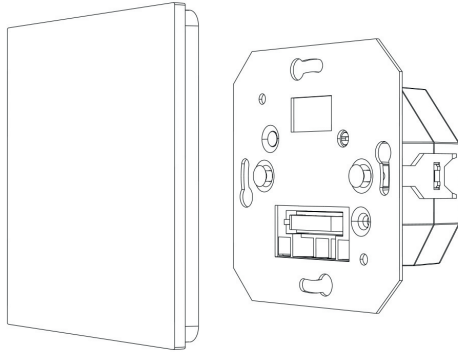
Please note the detailed setting table for scenes as follows:

Rotary Switch Position	0	1	2	3	4	5	6	7	8	9	A	B	C	D	E	F
Scene assigned to S1	0	1	2	3	4	5	6	7	8	9	10	11	12	13	14	15
Scene assigned to S2	1	2	3	4	5	6	7	8	9	10	11	12	13	14	15	0
Scene assigned to S3	2	3	4	5	6	7	8	9	10	11	12	13	14	15	0	1
Scene assigned to S4	3	4	5	6	7	8	9	10	11	12	13	14	15	0	1	2

## 4. Dimensions and Wiring

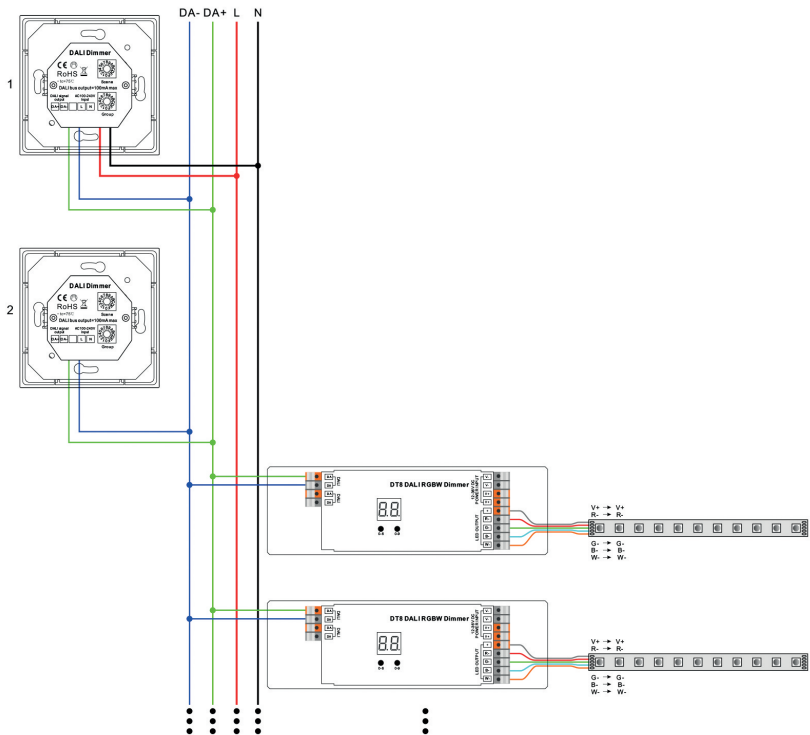


## 5. Installation



## 6. Wiring Diagram

Passiv: Supply via external DALI bus power supply



## Active: Connection via 230VAC

