

LED RF Controller DW (Dynamic White) Set - User Manual



Item no.: LC-002-059

1. Product Introduction

The remote and the Controller are running by radio signal. With the remote control, several receivers can be synchronously controlled. All receivers then receive a common ID address. You can connect PWM repeaters to the output to get an unlimited system performance.

2. Performance Parameter

Remote:

Operation Voltage	3x 1,5 VDC Batteries (3xAAA Batteries)
Operation Frequency	434MHz/868MHz/915MHz
Dimensions (L x W H)	120 x 48 x 17,6mm
Operation mode	RF Wireless

Receiver:

Input Voltage	12V-24VDC, Constant Voltage
Max. Output Power	2 Channels x 5A (120W/12V) or (240W/24V)
Dimensions (L x W H)	145 x 46,5 x 16mm
Weight	72g

3. Features

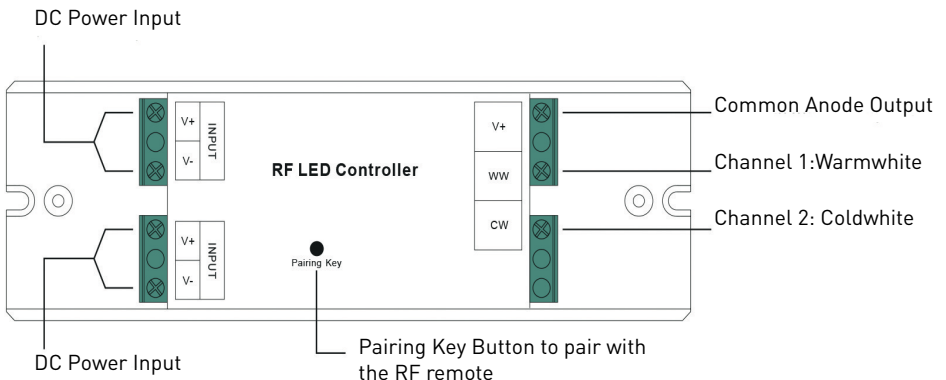
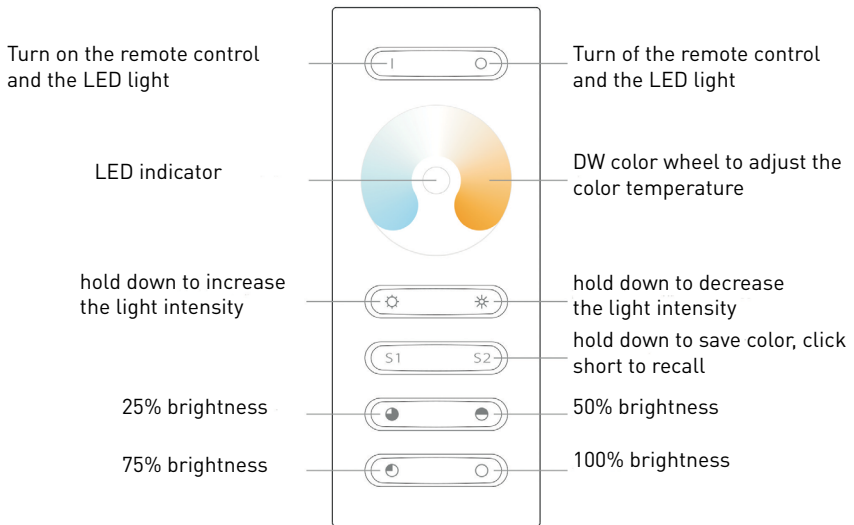
1. Power on and power off
2. Activate a desired colour by the colour wheel
3. Two self adjusted colours storeable
4. Activation of 2 self stored colours with scene buttons
5. Dimming of desired colour gradient or with 4 predefined dimming steps buttons between 25% - 100%

4. Operation Manual

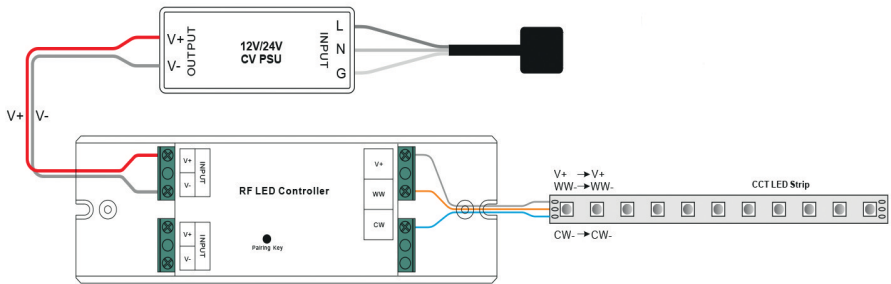
4.1. Connection of the Remote with the Receiver:

- Do wiring according to the wiring diagram
- Wake up the remote control by pressing the ON-button.
- Press shortly the „RF Pairing Key“ button on the receiver.
- Touch the control wheel on the remote
- Connected LED light will flicker to confirm matching successfully.
- If you wish to delete the learned ID, please press „RF Pairing Key“ button on the receiver for 5 seconds until LED light flash, the learned ID is deleted.

4.2. Description of the remote buttons:



5. Wiring Diagram



6. Safety warning

- 6.1. To avoid installed the product in minefield, strong magnetic field and high voltage area.
- 6.2. To ensure the wiring is correct and firm avoiding short circuit damages to components and cause fire.
- 6.3. Please install the product in a well ventilated area to ensure appropriate temperature environment.
- 6.4. The product must be worked with DC constant voltage power supply.
Please check the consistence of input power with the product, if the output voltage of the power comply with that of the product.
- 6.5. Connect the wire with the power on is forbidden. Ensure proper wiring first then check to ensure no short-circuit, then power on.
- 6.6. Don't repair it by yourself whenever an error occur. Contact the supplier for any inquiry.

7. Remarks

- 7.1. Power source must be DC constant voltage type of power supply. Due to the efficient output in some power supplies are only 80% of total, so please select at least 20% higher output power supply than the consumption of LED lights.