












# LED Profil MFH | max. LED Leistung pro Meter: 55W → 3 x Flexstrip 75 (2 x direkt & 1 x indirekt)

ALUMINIUM PROFILE & ABDECKUNGEN   ALUMINIUM PROFILES & COVERS	
 <p><b>AP-005-002</b> Aluminium Profil MFH Aluminium profile MFH</p>	 <p><b>AB-005-100</b> Aluminium Abdeckung MF Aluminium cover MF</p>

Ein fester Halt der Abdeckungen kann nur gewährleistet werden, wenn das Aluminiumprofil gemeinsam mit dem Aluminiumeinsatz oder dem Modul Einsatz verwendet wird.

A firm hold of the covers can only be ensured when the aluminium profile together with the aluminium inset or the module inset is used.

PROFIL ABDECKUNGEN UND EINSCHÜBE   PROFILE COVERS AND INSETS		
 <p><b>AB-005-001</b> PMMA Abdeckung MF Flach Transparent PMMA cover MF flat transparent</p>	 <p><b>AB-005-003</b> PMMA Abdeckung MF Flach Opal PMMA cover MF flat milky</p>	 <p><b>AB-006-001</b> PMMA Abdeckung CL Flach Transparent - indirekt PMMA cover CL flat transparent - indirect</p>
<p>Transparente Abdeckung erforderlich Transparent cover necessary</p>  <p><b>MP-005-001</b> Mikroprism. Einschub MF Transparent Microprismatic Inset MF transparent</p>	 <p><b>AB-005-006</b> PMMA Abdeckung MF Rund Opal PMMA cover MF round milky</p>	 <p><b>AB-006-003</b> PMMA Abdeckung CL Flach Opal - indirekt PMMA cover CL flat milky - indirect</p>
<p>Transparente Abdeckung erforderlich Transparent cover necessary</p>  <p><b>MP-005-003</b> Mikroprism. Einschub MF Opal Microprismatic Inset MF milky</p>	 <p><b>AB-005-009</b> PMMA Abdeckung MF Eckig Opal PMMA cover MF square milky</p>	 <p><b>AB-005-200</b> ABS Profil Kabelkanalabdeckung ABS profile cable channel cover</p>

PROFIL ENDKAPPEN   PROFILE ENDCAPS		
<p>Endkappenstärke   End cap thickness 2,5mm</p>  <p><b>EK-005-200</b> Profil Endkappe MFH Flach geschlossen Profile endcap MFH flat closed</p>	<p>Endkappenstärke   End cap thickness 2,5mm</p>  <p><b>EK-005-210</b> Profil Endkappe MFH Rund geschlossen Profile endcap MFH round closed</p>	<p>Endkappenstärke   End cap thickness 2,5mm</p>  <p><b>EK-005-220</b> Profil Endkappe MFH Eckig geschlossen Profile endcap MFH square closed</p>

1m	2m	4m	SONDER LÄNGE	SPECIAL LENGTH
----	----	----	--------------	----------------

STANDARDLÄNGE = 2M | ALLE ANDEREN LÄNGEN SIND VOM UMTAUSCH UND DER RÜCKGABE AUSGESCHLOSSEN. LÄNGEN ÜBER 2M WERDEN MITTELS SPEDITION VERSENDET UND ERFORDERN EINE MINDESTBESTELLMENGE VON 10 STK.

STANDARD LENGTH = 2M | ALL OTHER LENGTHS ARE EXCLUDED FROM EXCHANGE AND RETURN. LENGTHS OVER 2M ARE SHIPPED BY FREIGHT CARRIER AND REQUIRE A MINIMUM ORDER QUANTITY OF 10 PCS.


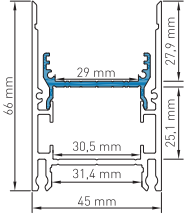

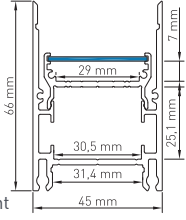

## HINWEIS PLEASE NOTE

Kunststoff und Aluminium besitzen unterschiedliche Ausdehnungskoeffizienten, welche bei der Montage zu berücksichtigen sind. Ausgehend von 20°C verändert sich die Länge beim Aluminium um ca. 0,25mm pro Meter und beim Kunststoff um ca. 0,70mm pro Meter je 10°C Temperaturunterschied.


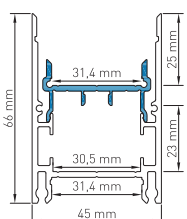

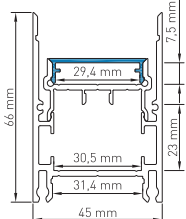


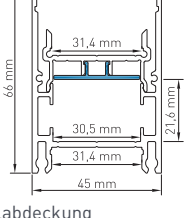
Plastic and aluminium have different expansion coefficients, which must be considered during assembly. Based on 20°C the length of aluminium changes approximately 0,25mm per meter and plastic approximately 0,70 mm per meter per 10°C of difference in temperature.

# LED Profile MFH | max. LED power per meter: 55W → 3 x Flexstrip 75 (2 x directly & 1 x indirectly)

## VARIANTE 1: ALUMINIUM EINSATZ MIT MFH PROFIL | VARIANT 1: ALUMINIUM INSET WITH MFH PROFILE

 <p><b>AP-005-000</b> Aluminium Einsatz MF Aluminium inset MF</p> 	 <p><b>AB-005-000</b> MF Berührungsschutz für Aluminium Einsatz Transparent MF touch protection for aluminium inset transparent</p> 	 <p><b>EK-005-000</b> Profil Endkappe MF Aluminium Einsatz Profile endcap MF aluminium inset</p>
--	---	---







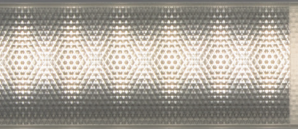


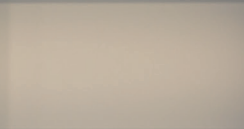
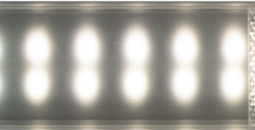
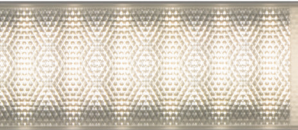


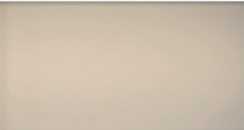
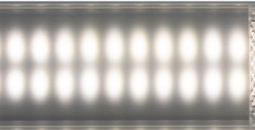
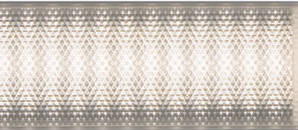


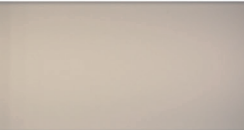
## VARIANTE 2: MODUL EINSATZ MIT MFH PROFIL MIT KABELFÜHRUNG | VARIANT 2: MODULE INSET WITH MFH PROFILE WITH CABLE GUIDE

 <p><b>AP-005-100</b> MF Modul Einsatz MF module inset</p> 	 <p><b>AB-005-601</b> PMMA Berührungsschutz MF Modul Einsatz Transparent PMMA touch protectin MF module inset transparent</p> 	 <p><b>EK-005-001</b> Profil Endkappe MF Modul Einsatz Profile endcap MF module inset</p>
<p>als Kabelkanalabdeckung for cable canal cover</p>  <p><b>AB-005-201</b> ABS Modul Einsatz Kabelkanalabdeckung ABS module inset cable channel cover</p> 		

## PROFIL ZUBEHÖR | PROFILE ACCESSORIES

 <p><b>PZ-001-002</b> Seilabhänger 2m inkl. Deckenbefestigung Wire suspension 2m incl. ceiling fixture</p>  <p><b>PZ-001-005</b> Seilabhänger 5m inkl. Deckenbefestigung Wire suspension 5m incl. ceiling fixture</p>	 <p><b>PZ-002-003</b> Seilstopper mit Y-Aufhängung 120mm Seil 4mm Kugeln Wire stopper with Y-suspension 120mm wire 4mm rolls</p>	 <p><b>EK-100-002</b> Torx Bit TX8 für Endkappenschrauben Torx Bit TX8 for endcap screws</p>
 <p><b>PZ-006-001</b> Saugnapf 30mm Suction cup 30mm</p>	<p>Für 1 Profilverbindung sind 2 Stück Verbinder notwendig For 1 profile connection 2 pieces connectors necessary</p>  <p><b>PZ-004-005</b> Profilverbinder MF und SL Profile connector MF and SL</p>	<p>Anwendungsbeispiel MFR Profil mit Innen-, - und Aussenecken Profilverbinder Application example MFR profile with inside, - and outside corner profile connectors</p> 
 <p><b>PZ-004-007</b> Eck Profilverbinder Innen- und Kreuzecken MF und SL Corner Profile connector inside- and cross corners MF and SL</p>	 <p><b>PZ-004-008</b> Eck Profilverbinder Aussenecken MF und SL Corner Profile connector outside corner MF and SL</p>	 <p>Aussenecke outside corner</p>

# LED Profil MFH mit Einsatz | LED Profile MFH with Inset

MFH PROFIL BESTÜCKT MIT 2 X FLEXSTRIP 36 RGB MIT EINEM LED ABSTAND VON 33MM IN KOMBINATION MIT DEN UNTERSCHIEDLICHEN ABDECKUNGEN				
MFH PROFILE FITTED WITH 2 X FLEXSTRIP 36 RGB WITH A LED DISTANCE OF 33MM IN COMBINATION WITH THE DIFFERENT COVERS				
PMMA Abdeckung MF Flach Transparent 91% Transmission	PMMA Abdeckung MF Flach Transp. 91% Transmission + Mikroprismatik Transp. 95% Transmission	PMMA Abdeckung MF Flach Transp. 91% Transmission + Mikroprismatik Opal 93% Transmission	PMMA Abdeckung MF Flach Opal 76% Transmission	PMMA Abdeckung MF Eckig Opal 76% Transmission
				
PMMA cover MF flat transparent 91% transmission	PMMA cover MF flat transparent 91% transmission + Microprismatic transparent 95% transmission	PMMA cover MF flat transparent 91% transmission + Microprismatic milky 93% transmission	PMMA cover MF flat milky 76% transmission	PMMA cover MF square milky 76% transmission
MFH PROFIL BESTÜCKT MIT 1 X FLEXSTRIP 24 ODER 72 MIT EINEM LED ABSTAND VON 16,5MM IN KOMBINATION MIT DEN UNTERSCHIEDLICHEN ABDECKUNGEN				
MFH PROFILE FITTED WITH 1 X FLEXSTRIP 24 OR 72 WITH A LED DISTANCE OF 16.5MM IN COMBINATION WITH THE DIFFERENT COVERS				
PMMA Abdeckung MF Flach Transparent 91% Transmission	PMMA Abdeckung MF Flach Transp. 91% Transmission + Mikroprismatik Transp. 95% Transmission	PMMA Abdeckung MF Flach Transp. 91% Transmission + Mikroprismatik Opal 93% Transmission	PMMA Abdeckung MF Flach Opal 76% Transmission	PMMA Abdeckung MF Eckig Opal 76% Transmission
				
PMMA cover MF flat transparent 91% transmission	PMMA cover MF flat transparent 91% transmission + Microprismatic transparent 95% transmission	PMMA cover MF flat transparent 91% transmission + Microprismatic milky 93% transmission	PMMA cover MF flat milky 76% transmission	PMMA cover MF square milky 76% transmission
MFH PROFIL BESTÜCKT MIT 2 X FLEXSTRIP 24 ODER 72 MIT EINEM LED ABSTAND VON 16,5MM IN KOMBINATION MIT DEN UNTERSCHIEDLICHEN ABDECKUNGEN				
MFH PROFILE FITTED WITH 2 X FLEXSTRIP 24 OR 72 WITH A LED DISTANCE OF 16.5MM IN COMBINATION WITH THE DIFFERENT COVERS				
PMMA Abdeckung MF Flach Transparent 91% Transmission	PMMA Abdeckung MF Flach Transp. 91% Transmission + Mikroprismatik Transp. 95% Transmission	PMMA Abdeckung MF Flach Transp. 91% Transmission + Mikroprismatik Opal 93% Transmission	PMMA Abdeckung MF Flach Opal 76% Transmission	PMMA Abdeckung MF Eckig Opal 76% Transmission
				
PMMA cover MF flat transparent 91% transmission	PMMA cover MF flat transparent 91% transmission + Microprismatic transparent 95% transmission	PMMA cover MF flat transparent 91% transmission + Microprismatic milky 93% transmission	PMMA cover MF flat milky 76% transmission	PMMA cover MF square milky 76% transmission
MFH PROFIL BESTÜCKT MIT 2 X FLEXSTRIP 48 ODER 72 DW MIT EINEM LED ABSTAND VON 8,25MM IN KOMBINATION MIT DEN UNTERSCH. ABDECKUNGEN				
MFH PROFILE FITTED WITH 2 X FLEXSTRIP 48 OR 72 DW WITH A LED DISTANCE OF 8.25MM IN COMBINATION WITH THE DIFFERENT COVERS				
PMMA Abdeckung MF Flach Transparent 91% Transmission	PMMA Abdeckung MF Flach Transp. 91% Transmission + Mikroprismatik Transp. 95% Transmission	PMMA Abdeckung MF Flach Transp. 91% Transmission + Mikroprismatik Opal 93% Transmission	PMMA Abdeckung MF Flach Opal 76% Transmission	PMMA Abdeckung MF Eckig Opal 76% Transmission
				
PMMA cover MF flat transparent 91% transmission	PMMA cover MF flat transparent 91% transmission + Microprismatic transparent 95% transmission	PMMA cover MF flat transparent 91% transmission + Microprismatic milky 93% transmission	PMMA cover MF flat milky 76% transmission	PMMA cover MF square milky 76% transmission

